



Cladding

Greener living with bamboo



www.amboo.com

Cladding overview

aMbooo offers different shapes for facade profiles. They differ in shape and fasteners. Both visible and invisible fastening are possible. Fasteners are not guaranteed. Nails and staples are not recommended. For mounting we recommend the use of our mounting instructions. Small mildew stains, water stains, lime deposits, flying mold and the like are external weather influences of nature and cannot be prevented. You can minimize any stains that may appear on the material by regular cleaning and care. The care instructions for bamboo must be observed.

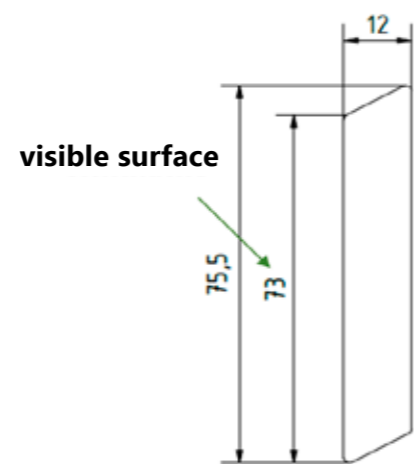
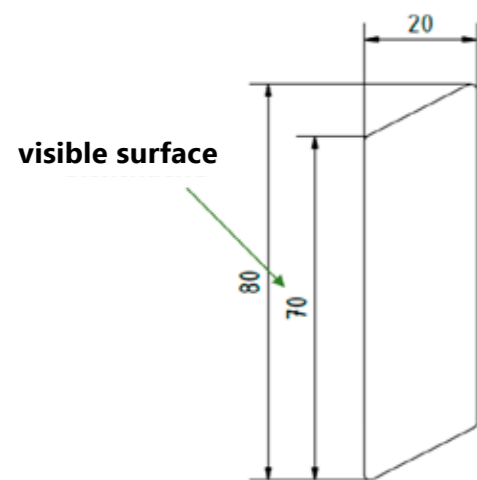
Revestino:

Dimensions 1: approx. 20 x 70 (80) x 2200 mm
 Color: all colors possible
 Surface: 2 x pre-oiled
 Availability: delivery time approx. 10 weeks

Dimensions 2: approx. 12 x 73 (75,5) x 2200 mm
 Color: sand
 Article number: 651984323
 Surface: 2 x pre-oiled
 Profile: Smooth
 Availability: In stock, approx. 3-4 days delivery time



Other colors possible, delivery time approx. 10 weeks! The profile is suitable for facade and ceiling mounting. It can be mounted horizontally or vertically. The fastening is done by a visible screw connection. The joint size can be determined by the customer. A classic closed or a modern cladding with gaps can be created. Due to color pigments in the material, the Revestino only slightly grays out.



Signature S,M,L:
 Dimensions 1: approx. 20 x 143 (153) x 2200 mm
 Color: all colors possible
 Surface: 2 x pre-oiled
 Availability: delivery time approx. 10 weeks

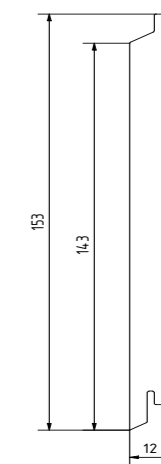
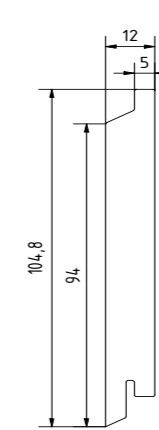
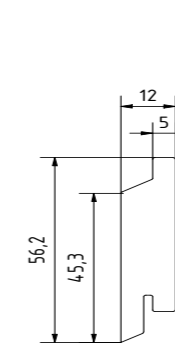
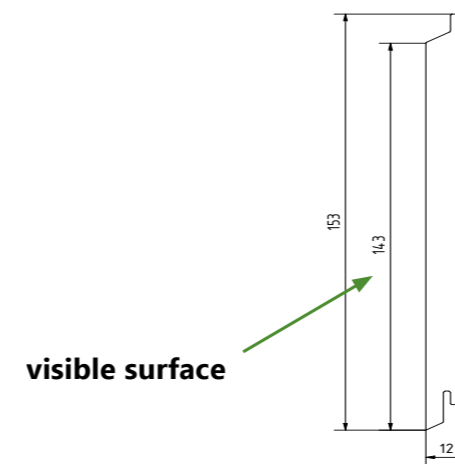
Dimensions S: approx. 12 x 45,3 (56,2) x 2200 mm
 Color: sand
 Article number: 651919340
 Surface: 2 x pre-oiled
 Profile: Smooth
 Availability: In stock, approx. 3-4 days delivery time
 Other colors possible, delivery time approx. 10 weeks!

Dimensions M: approx. 12 x 94 (104,8) x 2200 mm
 Color: Sand
 Article number: 651919341
 Surface: 2 x pre-oiled
 Profile: Smooth
 Availability: In stock, approx. 3-4 days delivery time
 Other colors possible, delivery time approx. 10 weeks!

Dimensions L: approx. 12 x 143 (153) x 2200 mm
 Color: Sand
 Article number: 6519342
 Surface: 2 x pre-oiled
 Profile: Smooth
 Availability: In stock, approx. 3-4 days delivery time
 Other colors possible, delivery time approx. 10 weeks!



The Signature is mounted with our facade clip. This means that no screws are visible. Fixing points are required every 400 mm. Depending on the building structure, the clip can be used both directly and with a substructure. Due to color pigments in the material, the Signature grays out only slightly.



Cladding overview

STYX:

Dimensions: approx. 14 x 128 (140) x 2500 mm

Color: sand

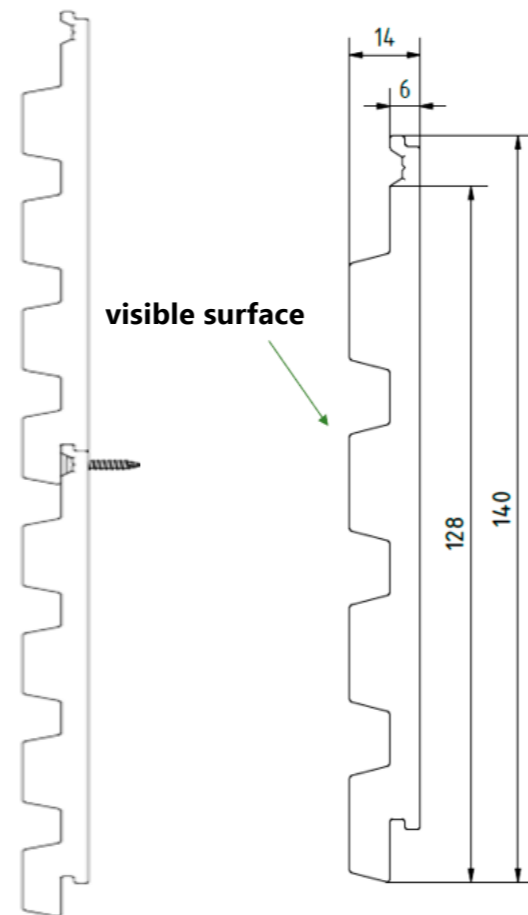
Surface: 2 x pre-oiled

Profile: fluted

Article number: 65191 9232

Availability: in stock, approx. 3-4 days delivery time

STYX profile is suitable for outdoor and indoor use. It can be attached or fastened vertically or horizontally. The horizontal application is only suitable for indoor use, i.e. for use class 1. The STYX is invisibly screwed into place. This allows to form a classic closed or a modern cladding with gaps. Due to color pigments in the material, STYX only slightly grays out.



Facade Specials:

The facade specials are not in the catalog and can be ordered on request.

STYX DC:

The STYX DC is technically identical to the normal STYX. The blackened grooves in combination with the sand tone, provide a modern look with a closed facade.

Dimensions 1: approx. 14 x 128 (140) x 2500 mm

Color: Sand, Black

Surface: 2 x pre-oiled

Profile: ribbed

Availability: Delivery time approx. 10 weeks



With the STYX ONE and STYX TWO it is possible to design the facade individually. In addition to the classic symmetrical variants, a non-symmetrical arrangement is also possible. The profile is screwed directly and is compatible with all other styx profiles.

STYX ONE:

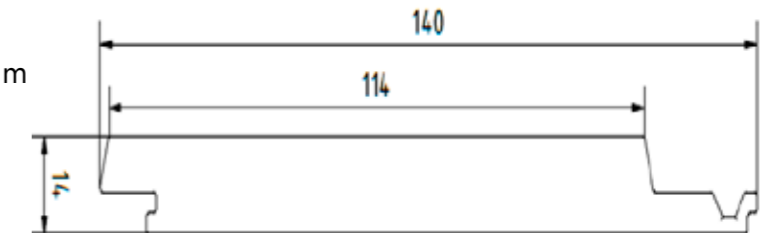
Dimensions: approx. 14 x 128 (140) x 2500 mm

Color: White Oak

Surface: 2 x pre-oiled

Profile: fluted

Availability: Delivery time approx. 10 weeks



STYX TWO:

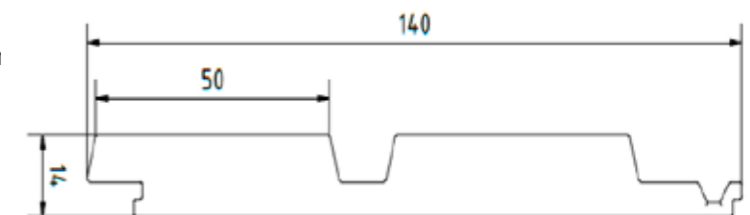
Dimensions: approx. 14 x 128 (140) x 2500 mm

Color: White Oak

Surface: 2 x pre-oiled

Profile: fluted

Availability: Delivery time approx. 10 weeks

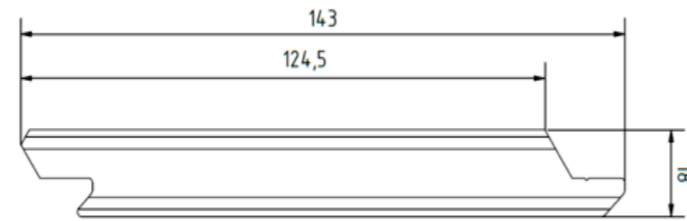


Cladding overview

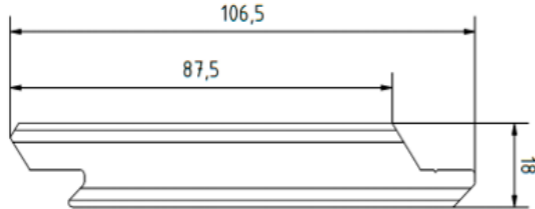
B1

Our Closed Cladding is a completely closed bamboo facade without visible grooves. In addition, the façade offers the advantages of the tongue-and-groove connection at the end faces. The profiles are screwed directly.

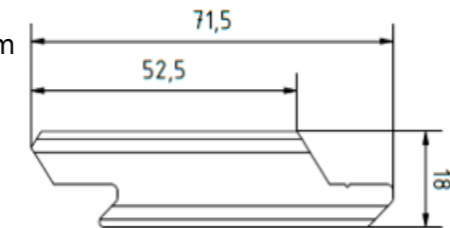
Dimensions 1: ca. 18 x 124,5 (143,5) x 1860 mm
 Color: Coffee
 Surface: 2 x pre-oiled
 Profile: Glatt
 Availability: Delivery time approx. 10 weeks



Dimensions 2: approx. 18 x 87.5 (106.5) x 1860
 Color: Coffee
 Surface: 2 x pre-oiled
 Profile: Smooth
 Availability: Delivery time approx. 10 weeks



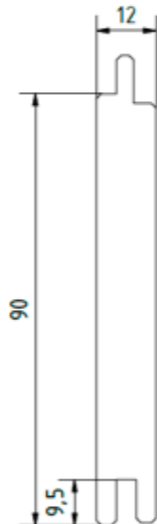
Dimensions 3: approx. 18 x 52.5 (71.5) x 1860 mm
 Color: Coffee
 Surface: 2 x pre-oiled
 Profile: Smooth
 Availability: Delivery time approx. 10 weeks



Soffit:

Soffit corresponds to the classic plug-in facade. The assembly is done with invisible with a mounting bracket. The first and last planks are visibly screwed.

Dimensions: approx. 12 x 90 x 2500 mm
 Color: Coffee
 Surface: 2 x pre-oiled
 Profile: Smooth
 Article number: 651916323
 Availability: Delivery time approx. 10 weeks



Product information



Our bamboo planks are made exclusively from highland bamboo, from China. For this purpose, bamboo fibers are highly compressed as a mold cake into board blanks by pressing pressure. The specific density increases from approx. 700 kg/m³ to 1300 kg/m³. Binder/resin content approx. 7% - 8%, bamboo content approx. 92% - 93%.

Technische Daten

	Designation	Values
	Durability class EN 350-2	1 = very good, very durable
	Mildew rot resistance EN 50-1	2 = good, durable
	Brinell hardness	9.7
	Compensation moisture material	8%
	Specific weight	ca. 1300 kg/m ³
	UV resistance	very high
	Swelling / shrinkage behavior	Strenght ±0,1%; Width ±0,02%; Length ±0,1%
	Dimensional stability	very high
	Flexural strength	156,65 N/mm ²
	Modulus of elasticity	17267 N/mm ²
	Screw extraction resistance Axial according to EN 320	5870N
	Anti-slip ability DIN:51097; NEN 7909:2015 = DIN 51130	Class C; R12
	Fire protection class according EN 13501-1	Bfl-s1, flame retardant